

CIDETRAK® OFM-L

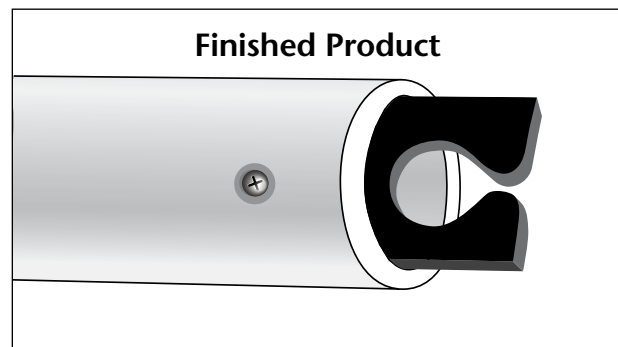
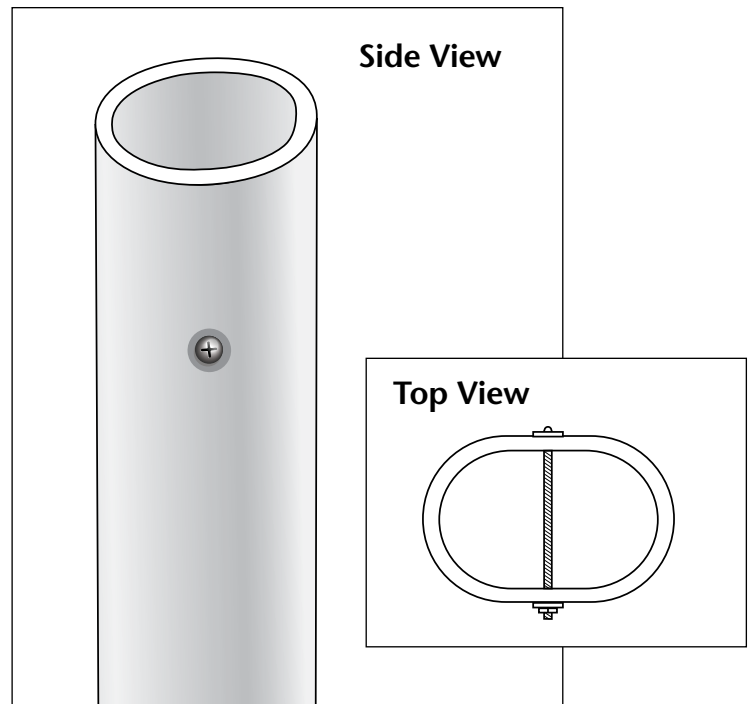
How To Make the PVC Applicator Pole

MATERIALS:

1. PVC pipe – CL200 thin-walled 3/4 in.
2. (1) 1-1/4 in. x 1/4 in. machine bolt
3. (2) flat washers
4. (1) 1/4 in. nut

DIRECTIONS FOR ASSEMBLY :

1. Cut PVC to desired length 5-7 ft.
2. Drill hole through the center of the PVC pipe at 1-1/8 in. below the top of the pipe.
3. Insert bolt and tighten together enough for the CIDETRAK dispenser to fit properly (firm but not too tight).
4. Pinch the PVC pipe together with pliers to adjust for proper fit.



Fruitful Growing Seasons Start with

CIDETRAK® OFM-L

Visit our website: www.trece.com or call 1-866-785-1313

© 2009 TRECE, Adair, OK USA • TRECE and CIDETRAK are registered trademarks of Tréce, Inc., Adair, OK USA

 **TRECE**[®]
INCORPORATED

INSECT PHEROMONE & KAIROMONE SYSTEMS

Your Edge – And Ours – Is Knowledge.